



Model Number

NMB5-12GM45-Z4-C4-300MM-V1

Features

- 5 mm flush
- Stainless steel sensing face
- 2-wire DC
- Weld field immune
- Weld slag resistant coating
- Pigtail quick disconnect

Accessories

V1-G-OR2M-POC

Female cordset, M12, 4-pin, TPE cable, welding-bead resistant

AB-12

Mounting aid

Technical Data

General specifications

Switching function	Normally open (NO)
Output type	Two-wire
Rated operating distance	s_n 5 mm
Installation	flush
Output polarity	DC
Assured operating distance	s_a 0 ... 4.05 mm
Actuating element	Ferrous and nonferrous targets
Reduction factor r_{Al}	0.4
Reduction factor r_{Cu}	0
Reduction factor r_{304}	0.8
Reduction factor r_{S37}	1
Reduction factor r_{Brass}	0
Output type	2-wire

Nominal ratings

Operating voltage	U_B 6 ... 30 V DC
Switching frequency	f 1 Hz
Hysteresis	H 3 ... 15 typ. 5 %
Reverse polarity protection	reverse polarity tolerant
Short-circuit protection	pulsing
Voltage drop	U_d < 3 V DC
Operating current	I_L 2 ... 100 mA
Off-state current	I_r < 500 μ A
Switching state indicator	LED, red
Mag. Field strength, AC fields	250 mT
Mag. Field strength, DC fields	250 mT

Ambient conditions

Ambient temperature	-25 ... 70 °C (-13 ... 158 °F)
---------------------	--------------------------------

Mechanical specifications

Connection type	300 mm POC cable with 3-pin, M12 x 1 connector
Core cross-section	0.34 mm ²
Housing material	Xylan coated - Stainless steel 1.4305 / AISI 303
Sensing face	Xylan coated - Stainless steel 1.4305 / AISI 303
Degree of protection	IP67

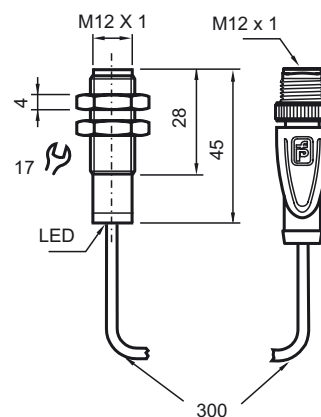
Compliance with standards and directives

Standard conformity	
Standards	EN 60947-5-2:2007 IEC 60947-5-2:2007

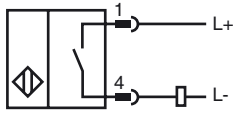
Approvals and certificates

UL approval	cULus Listed, General Purpose
CSA approval	cCSAus Listed, General Purpose
CCC approval	CCC approval / marking not required for products rated \leq 36 V

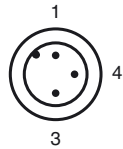
Dimensions



Electrical Connection

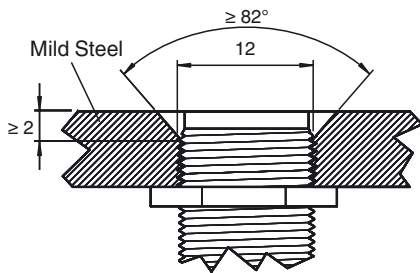


Pinout



Wire colors in accordance with EN 60947-5-2

1	BN	(brown)
3	BU	(blue)
4	BK	(black)



Sensor face is flush with mounting surface.